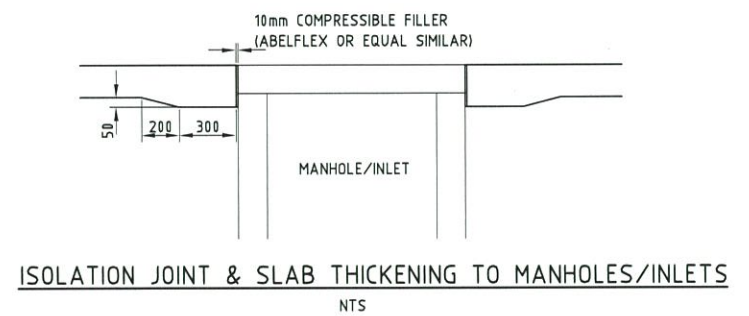
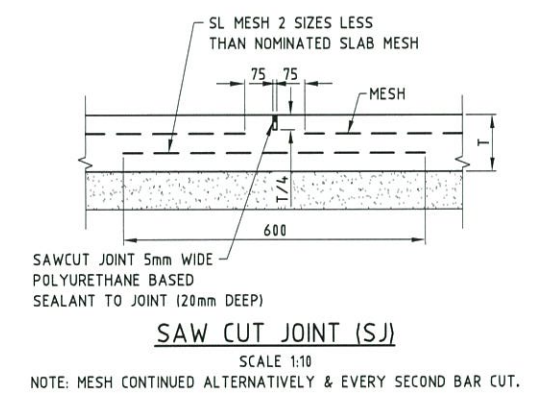
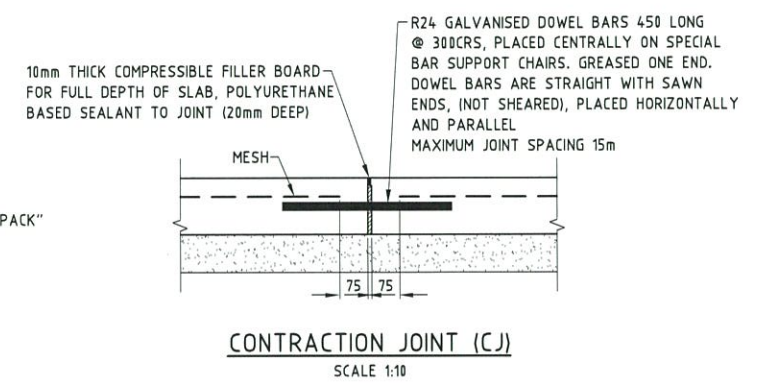




CONCRETE JOINT DETAILS
SCALE 1:200

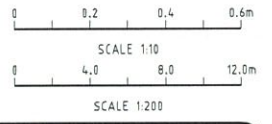


BRAZIER MOTTI PTY LTD (ACN 066 411 041), 595 Flinders Street, Townsville hereby certify that this Drawing accurately and correctly describes and records the nature and location of the works depicted by asterisks (*) herein as they have been constructed for subdivision.

[Signature] Director
4/7/13 Date

[Signature] Director

ACN 066 411 041



| | | |
|-----------------------------|----------|----------------------|
| AS CONSTRUCTED ISSUE | | |
| REV. | DATE | REVISIONS |
| A | 04/04/13 | AS CONSTRUCTED ISSUE |

brazier motti
www.braziermotti.com.au

595 Flinders Street, Townsville
Phone: 4772 1144 Fax: 4772 2557
Email: townsville@braziermotti.com.au
Job No: 29060/028-02

REAL PROPERTY DESCRIPTION:
LOT 7000 ON SP 247154

DRAWN: S.ROSSO
DESIGNED: P.MURPHY
CHECKED: P.MURPHY
PROJECT MANAGER: P.PETERSEN

DATUM: AHD (DERIVED)
PSM 78108
RL.3.081

PROJECT DIRECTOR: P.BRADY RPEQ 7112

UDP Consulting Engineers

Urban Development Design Infrastructure Project Management

Level 1, 62 Walker Street
TOWNSVILLE QLD 4810
PO BOX 1110
TOWNSVILLE QLD 4810

Phone: (07) 4772 0686
Fax: (07) 4772 0586
Email: main@udpconsulting.com.au
Web: www.udpconsulting.com.au

URBAN LAND DEVELOPMENT AUTHORITY

THE VILLAGE - STAGE 2
RIVEREDGE BOULEVARD, 00NOONBA
ROADWORKS DETAILS PLAN - SHEET 2 OF 2

DRAWING SIZE: A1
SCALE: AS SHOWN
XREF: ULD001-XR-ASCN

DRAWING No. ULD001/106
REV A