

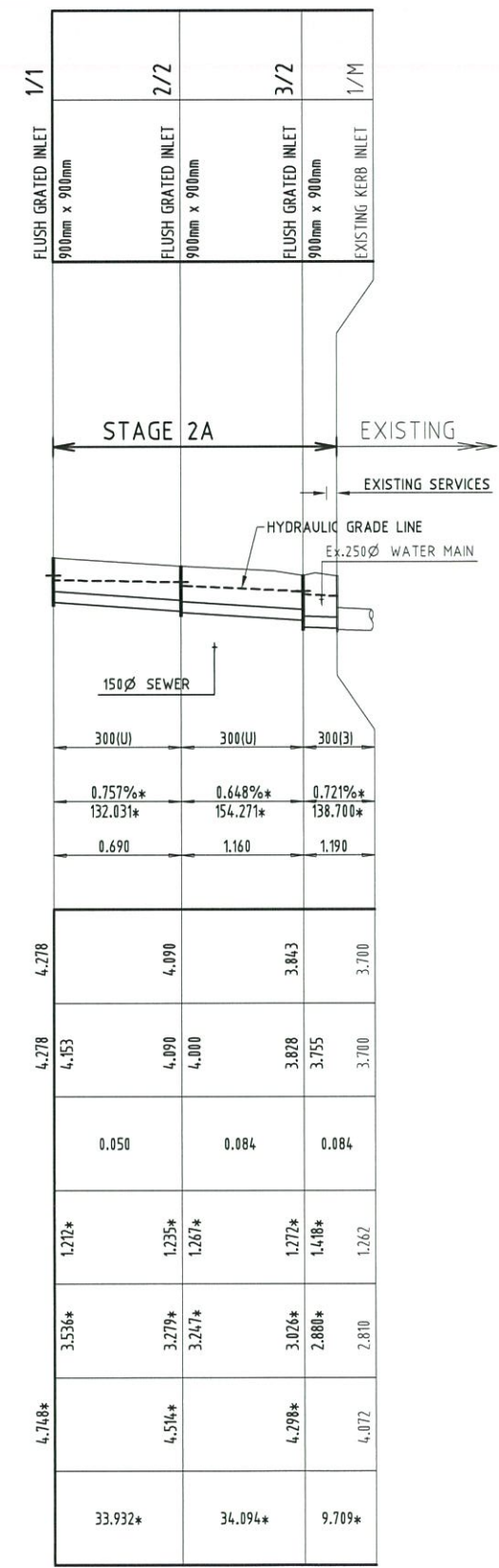
STRUCTURE NAME
STRUCTURE DESCRIPTION

- NOTES:**
- STRUCTURE MEASUREMENTS ARE TO CENTRE OF MANHOLE AND CENTRE OF STANDARD KIMH.
 - FOR STORMWATER LAYOUT, REFER TO DRAWING UL001/102.
 - ALL RCP DRAINAGE PIPES ARE FLUSH JOINTED WITH EXTERNAL RUBBER BAND, UNLESS OTHERWISE DIRECTED.
 - ALL uPVC DRAINAGE PIPES ARE RUBBER RING JOINTED CONFORMING TO AS1254.
 - PIPE CLASS: (3) - RCP CLASS 3
(U) - uPVC

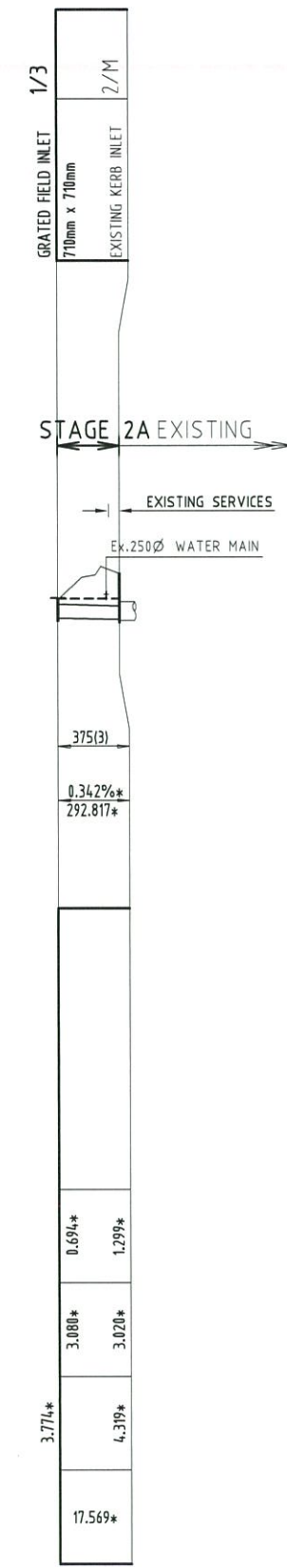
PIPE SIZEmm (Class)	300(U)	375(U)	375(3)	375(3)	450(3)
PIPE GRADE %	0.382%*	0.326%*	0.278%*	0.452%*	0.207%*
PIPE SLOPE 1 in X	261.529*	306.443*	359.500*	221.143*	483.071*
FULL PIPE FLOW VELOCITY (m/s)	0.700	0.790	0.830	0.930	0.850
PART FULL FLOW VELOCITY (m/s)					
DATUM RL.-5.000					

WATER LEVEL IN STRUCTURE	4.430	4.258	4.165	4.082	3.987	3.900
HYDRAULIC GRADE LEVEL	4.430	4.258	4.156	4.076	3.983	3.900
PIPE FLOW (Cumecs)	0.051	0.092	0.092	0.103	0.135	
DEPTH TO INVERT	1.222*	1.284*	1.328*	1.467*	1.534*	1.690*
INVERT LEVEL OF DRAIN	3.528*	3.372*	3.214*	3.075*	2.996*	2.891*
FINISHED SURFACE LEVEL	4.751*	4.656*	4.542*	4.533*	4.538*	4.631*
RUNNING CHAINAGE	41.060*	37.386*	10.066*	7.740*	13.526*	

LINE 1

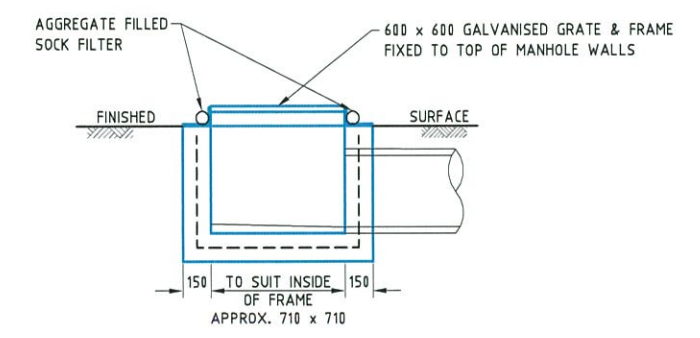


LINE 2



LINE 3

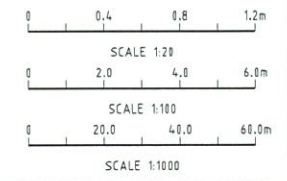
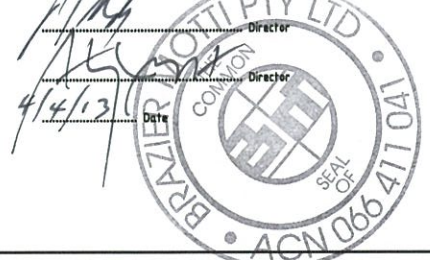
Q2 STORMWATER LONGITUDINAL SECTION
SCALE 1:100 VERTICAL; 1:1000 HORIZONTAL



DETAIL - FIELD INLET 1/3
SCALE 1:20

NOTE:
REFER TO TCC STANDARD DRAWING SD-215 FOR DETAILS. SLAB TOP NOT REQUIRED, FIX FRAME TO TOP OF MANHOLE WALLS. MANHOLE DIMENSIONS MODIFIED TO SUIT.

BRAZIER MOTTI PTY LTD IACH 866 411 0411, 595 Flinders Street, Townsville hereby certify that this Drawing accurately and correctly describes and records the nature and location of the works depicted by asterisks (*) herein as they have been constructed for subdivision.



AS CONSTRUCTED ISSUE

REV.	DATE	REVISIONS
A	04/04/13	AS CONSTRUCTED ISSUE

brazier motti
www.braziermotti.com.au
595 Flinders Street, Townsville
Phone: 4772 1144 Fax: 4772 2557
Email: townsville@braziermotti.com.au
Job No: 29060/028-02

REAL PROPERTY DESCRIPTION:
LOT 7000 ON SP 247154

DRAWN: S.ROSSO	DATUM: AHD (DERIVED)
DESIGNED: C.McGINN	PSM 78108 RL.3.081
CHECKED: C.McGINN	
PROJECT MANAGER: P.PETERSEN	PROJECT DIRECTOR: P.BRADY RPEQ 7112

UDP Consulting Engineers
Urban Development Design Infrastructure Project Management
Level 1, 62 Walker Street
TOWNSVILLE QLD 4810
PO BOX 1110
TOWNSVILLE QLD 4810
Phone: (07) 4772 0666
Fax: (07) 4772 0566
Email: main@udpconsulting.com.au
Web: www.udpconsulting.com.au

URBAN LAND DEVELOPMENT AUTHORITY
THE VILLAGE - STAGE 2
RIVEREDGE BOULEVARD, OONOONBA
Q2 STORMWATER LONGITUDINAL SECTIONS

DRAWING SIZE: A1	SCALE: AS SHOWN	DRAWING No: ULD001/107	REV: A
------------------	-----------------	------------------------	--------